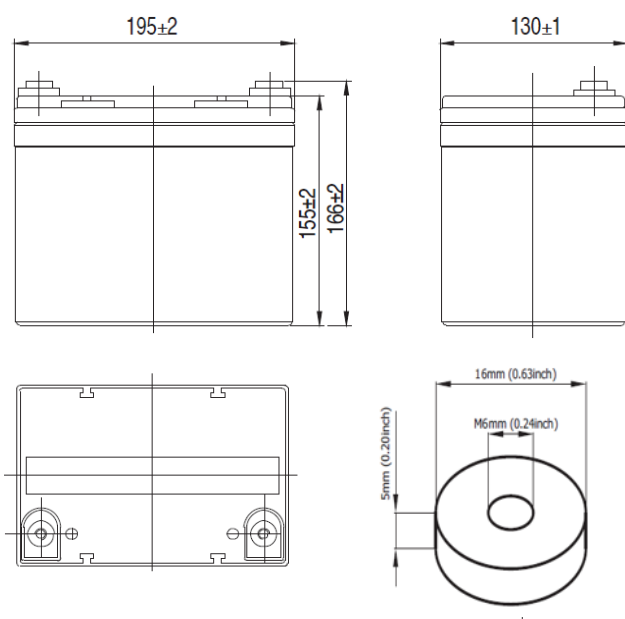


**APPLICATIONS**

- Solar & Wind power systems
- Power plants
- Uninterruptible Power Supply (UPS)
- Telecommunication Systems
- Electric wheelchairs
- Remote monitoring and controlling
- Solar street lighting
- Water pumping systems



**SPECIFICATIONS**

Nominal Voltage	12 V	
Number of cells	6	
Cycle Life	Approx. 900 cycles at 50% DoD	
Design Floating Life (20°C)	12 years	
Dimensions	Length	195 mm
	Width	130 mm
	Height	155 mm
	Total Height	166 mm
Weight	10.3 kg	
Nominal Capacity (25°C)	120 hours rate (1.85)	39.6 Ah
	10 hours rate (1.80)	33.2 Ah
	5 hours rate (1.75)	27.7 Ah
	1 hours rate (1.60)	20.1 Ah
Internal Resistance (fully charged, 25°C)	11 mOhm	
Self Discharge	approx. 3% per month at 20°C	
Nominal Operating Temperature	25°C	
Operating Temperature range	Discharge	-15°C to 65°C
	Charge	-10°C to 60°C
	Storage	-20°C to 60°C
Float Charging Voltage	2.27 to 2.30 V/cell at 25°C	
Temperature compensation	-20mV/°C	
Cyclic Charging Voltage	2.40 to 2.47 V/cell at 25°C	
Temperature compensation	-30mV/°C	
Maximum charging current	9.9 A	
Maximum discharge current (25°C)	330 A (5 sec.)	
Short Circuit Current	500 A	

**PERFORMANCE DATA**

**Discharge Constant Current at 25°C (Amperes)**

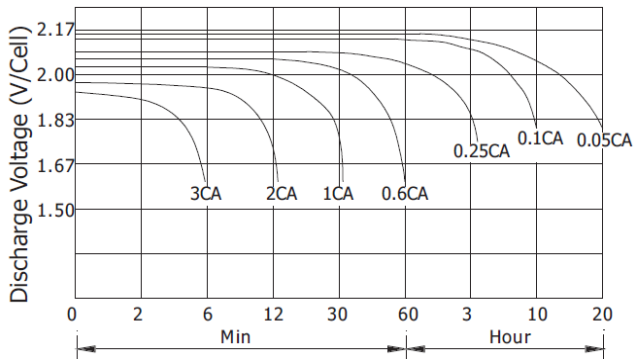
End Voltage (V/cell)	10min	15min	30min	45min	1h	2h	3h	4h	5h	8h	10h	20h	120h
1.60 V	56.7	50.7	32.1	25.5	20.1	12.2	8.32	6.53	5.64	4.15	3.44	1.80	----
1.65 V	53.7	49.5	31.4	25.1	19.8	12.1	8.28	6.49	5.60	4.12	3.41	1.76	----
1.70 V	51.6	47.7	30.3	24.3	19.3	12.0	8.26	6.45	5.57	4.07	3.39	1.74	----
1.75 V	49.0	46.0	29.6	23.9	19.0	11.8	8.22	6.42	5.53	3.99	3.37	1.73	----
1.80 V	46.1	43.6	28.5	23.3	18.8	11.6	8.05	6.34	5.40	3.86	3.32	1.72	0.33
1.85 V	45.4	42.9	28.1	23.0	18.5	11.4	7.93	6.24	5.32	3.81	3.27	1.70	0.33

**Discharge Constant Power at 25°C (Watts/Cell)**

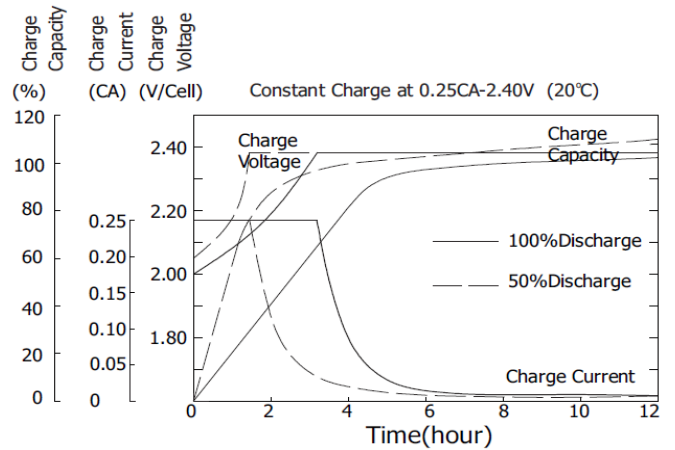
End Voltage (V/cell)	10min	15min	30min	45min	1h	2h	3h	4h	5h	8h	10h	20h	120h
1.60 V	98.9	92.7	59.7	49.1	38.0	23.2	16.0	12.6	11.1	7.94	6.74	3.50	----
1.65 V	95.9	90.5	58.5	48.3	37.3	23.0	15.9	12.6	11.1	7.89	6.73	3.48	----
1.70 V	92.1	87.3	56.9	46.9	36.6	22.9	15.8	12.5	11.0	7.85	6.72	3.48	----
1.75 V	88.7	84.8	56.0	46.3	36.0	22.7	15.8	12.5	11.0	7.75	6.72	3.46	----
1.80 V	83.2	79.8	53.4	44.3	34.7	21.9	15.2	12.0	10.6	7.56	6.63	3.43	0.66
1.85 V	81.9	78.6	52.6	43.7	34.2	21.6	15.0	11.9	10.4	7.45	6.53	3.38	0.65

Note: The above characteristics data can be obtained within three charge/discharge cycles.

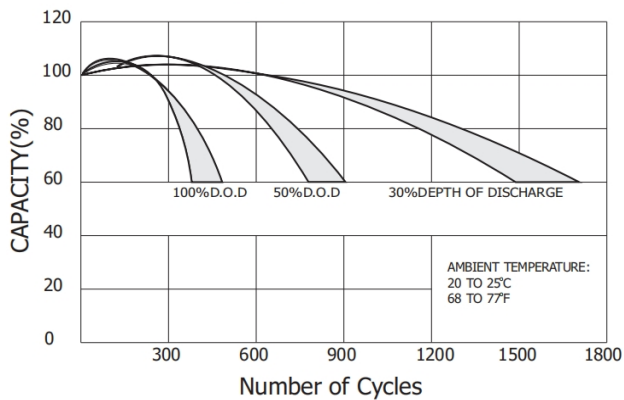
**Discharge Characteristics (20°C)**



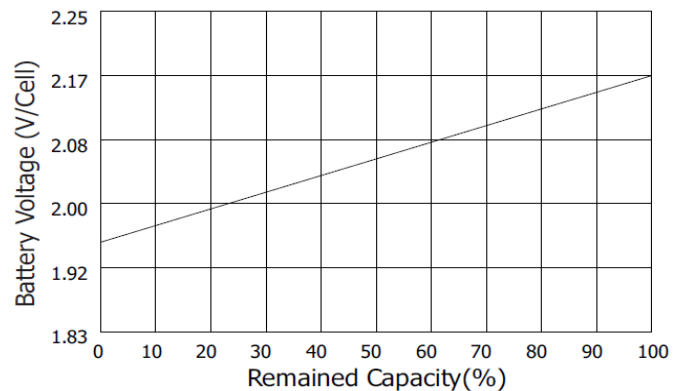
**Charging Characteristics (20°C)**



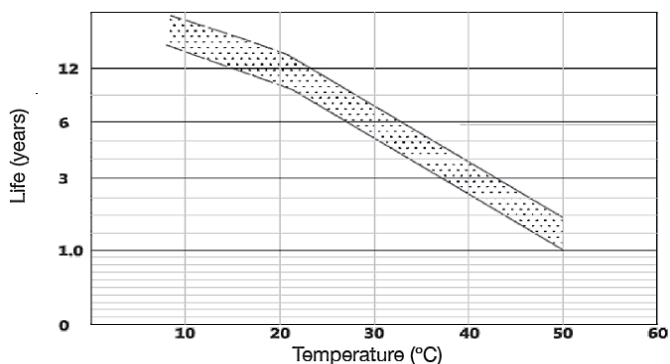
**Cycle Service Life in Relation to Depth of Discharge**



**Relationship Between OCV and Residual Capacity (20°C)**



**Temperature Effects on Float Life**



**Self Discharge Characteristics**

